



# 10 to 300 Watts DC-DC Converters Single, Dual, Triple Output Chassis Mount

## Features & Benefits

- Inputs: 28, 155, 165 and 270V<sub>DC</sub>
- One, two or three outputs
- Outputs from 2 to 48V<sub>DC</sub>
- MIL-STD-704D/E/F transient compliance for 28 and 270V<sub>DC</sub>
- MIL-STD-1399A compliance for 155V<sub>DC</sub>
- Up to 13.5 W/in<sup>3</sup>
- High efficiency
- Remote sense
- ZCS power architecture
- Low noise FM control
- 1 Up:  
2.58" x 2.5" x 0.62" (Half Size)  
4.9" x 2.5" x 0.62" (Full Size)
- 3 Up:  
2.58" x 7.3" x 0.62" (Half Size)  
4.9" x 7.3" x 0.62" (Full Size)

## Product Highlights

Vicor's MI-MegaMod family of single, dual, and triple output DC-DC converters provide power system designers with cost-effective, high-performance, off-the-shelf solutions to applications that might otherwise require a custom supply.

Incorporating standard MI-200 or MI-J00 family converters in rugged, chassis mount packages, MegaMods can be ordered with single, dual, or triple outputs, having a combined output power of up to 300W. Totally isolated outputs eliminate efficiency penalties and output interaction problems.

## Configuration Chart

Full-Size Modules – MegaMod			Junior-Size Modules – MegaMod Jr		
Configuration	Output Power	# of Modules	Configuration	Output Power	# of Modules
<b>Single Output</b>			<b>Single Output</b>		
MI-L	50 – 100 W	1	MI-LJ	10 – 50 W	1
MI-M	150 – 200 W	2			
MI-N	300 W	3			
<b>Dual Output</b>			<b>Dual Output</b>		
MI-P	100 – 200 W	2	MI-PJ	20 – 100 W	2
MI-Q	200 – 300 W	3			
<b>Triple Output</b>			<b>Triple Output</b>		
MI-R	150 – 300 W	3	MI-RJ	30 – 150 W	3

### Input Voltage

Nominal	Range	Transient <sup>[a]</sup>
2 = 28V	18 – 50V <sup>[b]</sup>	60
5 = 155V	100 – 210V	230
6 = 270V	125 – 400V	475
7 = 165V	100 – 310V	n/a

<sup>[a]</sup> Transient voltage for 1 second.    <sup>[b]</sup> 16 V operation at 75% load.

### Output Voltage

Z=2V	T=6.5V <sup>[c]</sup>	N=18.5V
Y=3.3V	R=7.5V <sup>[c]</sup>	3=24V
O=5V	M=10V	L=28V
X=5.2V	1=12V	J=36V
W=5.5V	P=13.8V	K=40V
V=5.8V	2=15V	4=48V

### Product Grade Temperature (°C)

MegaMod	MegaMod Jr.
I = -40 to +85	-40 to +100
M = -55 to +85	-55 to +100
Refers to Baseplate Temperature	

<sup>[c]</sup> 75W max. module power for 28V input voltage

### Output Power/Current

MegaMod		MegaMod Jr.	
V <sub>OUT</sub> ≥ 5V	V <sub>OUT</sub> < 5V	V <sub>OUT</sub> ≥ 5V	V <sub>OUT</sub> < 5V
Y = 50W	Y = 10A	A = 10W	A = —
X = 75W	X = 15A	Z = 25W	Z = 5A
W = 100W	W = 20A	Y = 50W	Y = 10A
V = —	V = 30A		

### Output Power/Current

V <sub>OUT</sub> ≥ 5V	V <sub>OUT</sub> < 5V
V = 150W	V = 30A
U = 200W	U = —
S = —	S = 60A

### Output Power/Current

V <sub>OUT</sub> ≥ 5V	V <sub>OUT</sub> < 5V
S = 300W	S = —
P = —	P = 90A

## MI-MegaMod Specifications

(typical at T<sub>BP</sub> = 25°C, nominal line, 75% load, unless otherwise specified)

### INPUT SPECIFICATIONS

Parameter	Min	Typ	Max	Unit	Notes
Inrush charge		120x10 <sup>-6</sup>	200x10 <sup>-6</sup>	Coulombs	Nom. line, per module
Input reflected ripple current – pp		10		%I <sub>IN</sub>	Nom. line, full load
Input ripple rejection		30+20Log $\left(\frac{V_{IN}}{V_{OUT}}\right)$		dB	120Hz, nom. line
		20+20Log $\left(\frac{V_{IN}}{V_{OUT}}\right)$		dB	2400Hz, nom. line
No load power dissipation		1.35	2	Watts	Per module

### OUTPUT SPECIFICATIONS

Parameter	Min	Typ	Max	Units	Notes
Setpoint accuracy		0.5	1	%V <sub>NOM</sub>	
Load / line regulation		0.05	0.2	%V <sub>NOM</sub>	LL to HL, 10% to FL
		0.2	0.5	%V <sub>NOM</sub>	LL to HL, NL to 10%
Output temperature drift		0.01	0.02	% / °C	Over rated temp.
Long term drift		0.02		%/1K hours	
Output ripple - pp	≤ 10V	80	150	mV	20MHz bandwidth
	12 – 48V	0.75	1.5	%V <sub>NOM</sub>	2 MHz bandwidth
Output voltage trimming <sup>[a]</sup>	50		110	%V <sub>NOM</sub>	
Total remote sense compensation	0.5			Volts	0.25V max. neg. leg
OVP setpoint	115	125	135	V <sub>NOM</sub>	Recycle power
Current limit	105		125	I <sub>NOM</sub>	Automatic restart
Short circuit current			130	%I <sub>NOM</sub>	

<sup>[a]</sup> 10V to 15V outputs, standard trim range ±10%. Consult factory for wider trim range.

### CONTROL PIN SPECIFICATIONS

Parameter	Min	Typ	Max	Units	Notes
Gate out impedance		50		Ω	
Gate in impedance		10 <sup>3</sup>		Ω	
Gate in open circuit voltage		6.0		Volts	Use open collector
Gate in low threshold	0.65			Volts	
Gate in low current			6.0	mA	

## MI-MegaMod Specifications (Cont.)

## DIELECTRIC WITHSTAND CHARACTERISTICS

Parameter	Min	Typ	Max	Unit	Notes
Isolation (input to output)	3,000			V <sub>RMS</sub>	
Isolation (output to baseplate)	500			V <sub>RMS</sub>	
Isolation (input to baseplate)	1,500			V <sub>RMS</sub>	

## THERMAL CHARACTERISTICS

Parameter	Min	Typ	Max	Units	Notes
Efficiency		80 – 90%			
Baseplate to chassis		0.1		°C/Watt	
Thermal Shutdown (drivers only)	90	95	105	°C	

## MECHANICAL SPECIFICATIONS

Parameter	Min	Typ	Max	Units	Notes
Weight					
1 Up		9.0 (255)		Ounces (Grams)	
2 Up		1.2 (545)		Lbs. (Grams)	
3 Up		1.7 (772)		Lbs. (Grams)	

## MI-MegaMod Specifications

(typical at  $T_{BP} = 25^{\circ}\text{C}$ , nominal line, 75% load, unless otherwise specified)

### INPUT SPECIFICATIONS

Parameter	Min	Typ	Max	Unit	Notes
Inrush charge		$60 \times 10^{-6}$	$100 \times 10^{-6}$	Coulombs	Nom. line, per module
Input reflected ripple current — pp		10		% $I_{IN}$	Nom. line, full load
Input ripple rejection		$30 + 20 \text{Log} \left( \frac{V_{IN}}{V_{OUT}} \right)$		dB	120Hz, nom. line
		$20 + 20 \text{Log} \left( \frac{V_{IN}}{V_{OUT}} \right)$		dB	2400Hz, nom. line
No load power dissipation		1.35	2	Watts	Per module

### OUTPUT SPECIFICATIONS

Parameter	Min	Typ	Max	Units	Notes
Setpoint accuracy		0.5	1	% $V_{NOM}$	
Load/line regulation		0.05	0.2	% $V_{NOM}$	LL to HL, 10% to FL
		0.2	0.5	% $V_{NOM}$	LL to HL, NL to 10%
Output temperature drift		0.01	0.02	%/ $^{\circ}\text{C}$	Over rated temp.
Long term drift		0.02		%/1K hours	
Output ripple, pp					
$\leq 10\text{V}$		80	150	mV	20 MHz bandwidth
12V – 48V		0.75	1.5	% $V_{NOM}$	20 MHz bandwidth
Output voltage trimming <sup>[a]</sup>	50		110	% $V_{NOM}$	
Total remote sense compensation	0.5			Volts	0.25V max. neg. leg
OVP setpoint		N/A			
Current limit	105		125	% $I_{NOM}$	Automatic restart

<sup>[a]</sup> 10V to 15V outputs, standard trim range  $\pm 10\%$ . Consult factory for wider trim range.

### CONTROL PIN SPECIFICATIONS

Parameter	Min	Typ	Max	Units	Notes
Gate out impedance		50		$\Omega$	
Gate in impedance		$10^3$		$\Omega$	
Gate in high threshold		6.0		Volts	Use open collector
Gate in low threshold	0.65			Volts	
Gate in low current			6.0	mA	

## MI-MegaMod Specifications (Cont.)

## DIELECTRIC WITHSTAND CHARACTERISTICS

Parameter	Min	Typ	Max	Unit	Notes
Isolation (input to output)	3,000			V <sub>RMS</sub>	Baseplate earthed
Isolation (output to baseplate)	500			V <sub>RMS</sub>	
Isolation (input to baseplate)	1,500			V <sub>RMS</sub>	

## THERMAL CHARACTERISTICS

Parameter	Min	Typ	Max	Units	Notes
Efficiency		80 – 90%			
Baseplate to chassis		0.1		°C/Watt	

## MECHANICAL SPECIFICATIONS

Parameter	Min	Typ	Max	Units	Notes
Weight					
1 Up		4.5 (127)		Ounces (Grams)	
2 Up		8.8 (250)		Ounces (Grams)	
3 Up		13.3 (377)		Ounces (Grams)	

## MI-MegaMod Mechanical Specifications

Inputs	
1 -Input	5 Gate Out #2
2 Gate Out #1	6 Gate In #2
3 Gate In #1	7 Gate Out #3
4 +Input	8 Gate In #3

Outputs		
Output #1	Output #2	Output #3
A -Output	F -Output	L -Output
B -Sense	G -Sense	M -Sense
C Trim	H Trim	N Trim
D +Sense	J +Sense	P +Sense
E +Output	K +Output	Q +Output

### Inputs

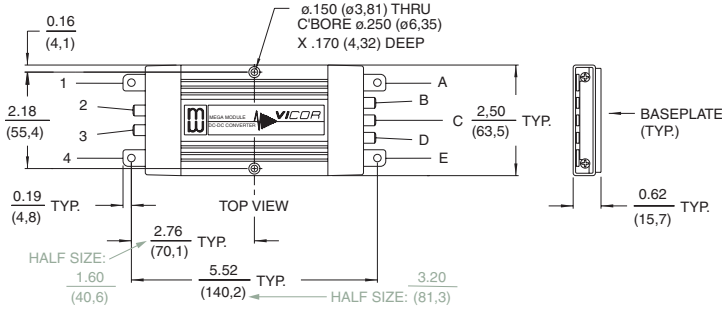
### Outputs



Side view (all models)

### L- and LJ-Series

### L- and LJ-Series

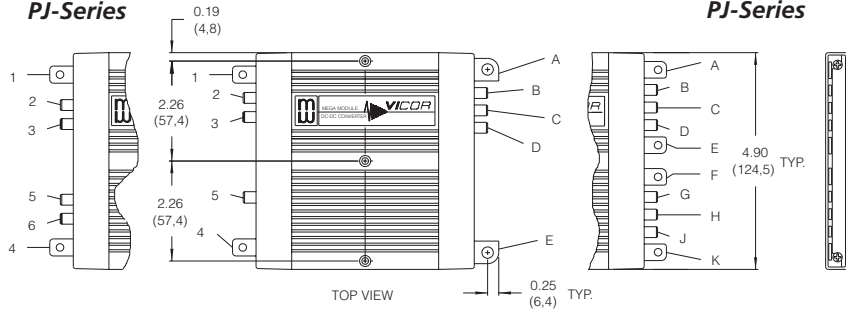


### P- and PJ-Series

### M-Series

### M-Series

### P- and PJ-Series



### Mounting Information

Use #6 machine hardware torqued to 5-7 in-lbs.

### R- and RJ-Series

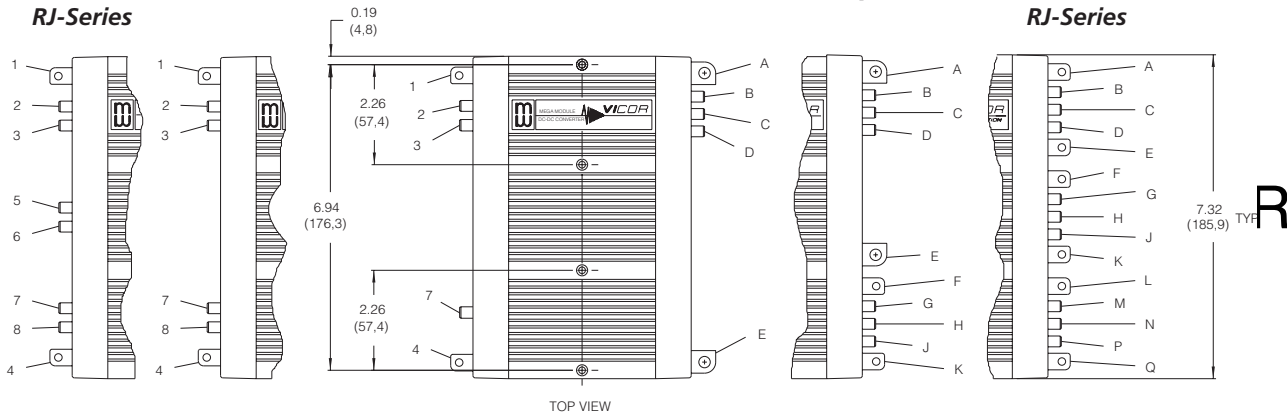
### Q-Series

### N-Series

### N-Series

### Q-Series

### R- and RJ-Series



Terminal and Product Model	Terminal Style	Screw Size	Recommended Torque
-Input, +Input All models	PCB	8-32 UNC	10 in-lb (1.1 N-m)
-Output, +Output L-, P-, R-, LJ-, PJ- & RJ-Series	PCB	8-32 UNC	10 in-lb (1.1 N-m)
M- & N-Series	Metal	1/4-20 UNC	65 in-lb (7.2 N-m)
Q-Series	PCB	8-32 UNC	10 in-lb (1.1 N-m)
Supervisory All models	Metal	1/4-20 UNC	65 in-lb (7.2 N-m)
Sized to accept AMP Faston® insulated receptacle #2-520184-2			

**Vicor's comprehensive line of power solutions includes high density AC-DC and DC-DC modules and accessory components, fully configurable AC-DC and DC-DC power supplies, and complete custom power systems.**

Information furnished by Vicor is believed to be accurate and reliable. However, no responsibility is assumed by Vicor for its use. Vicor makes no representations or warranties with respect to the accuracy or completeness of the contents of this publication. Vicor reserves the right to make changes to any products, specifications, and product descriptions at any time without notice. Information published by Vicor has been checked and is believed to be accurate at the time it was printed; however, Vicor assumes no responsibility for inaccuracies. Testing and other quality controls are used to the extent Vicor deems necessary to support Vicor's product warranty. Except where mandated by government requirements, testing of all parameters of each product is not necessarily performed.

**Specifications are subject to change without notice.**

**Vicor's Standard Terms and Conditions**

All sales are subject to Vicor's Standard Terms and Conditions of Sale, which are available on Vicor's webpage or upon request.

**Product Warranty**

In Vicor's standard terms and conditions of sale, Vicor warrants that its products are free from non-conformity to its Standard Specifications (the "Express Limited Warranty"). This warranty is extended only to the original Buyer for the period expiring two (2) years after the date of shipment and is not transferable.

UNLESS OTHERWISE EXPRESSLY STATED IN A WRITTEN SALES AGREEMENT SIGNED BY A DULY AUTHORIZED VICOR SIGNATORY, VICOR DISCLAIMS ALL REPRESENTATIONS, LIABILITIES, AND WARRANTIES OF ANY KIND (WHETHER ARISING BY IMPLICATION OR BY OPERATION OF LAW) WITH RESPECT TO THE PRODUCTS, INCLUDING, WITHOUT LIMITATION, ANY WARRANTIES OR REPRESENTATIONS AS TO MERCHANTABILITY, FITNESS FOR PARTICULAR PURPOSE, INFRINGEMENT OF ANY PATENT, COPYRIGHT, OR OTHER INTELLECTUAL PROPERTY RIGHT, OR ANY OTHER MATTER.

This warranty does not extend to products subjected to misuse, accident, or improper application, maintenance, or storage. Vicor shall not be liable for collateral or consequential damage. Vicor disclaims any and all liability arising out of the application or use of any product or circuit and assumes no liability for applications assistance or buyer product design. Buyers are responsible for their products and applications using Vicor products and components. Prior to using or distributing any products that include Vicor components, buyers should provide adequate design, testing and operating safeguards.

Vicor will repair or replace defective products in accordance with its own best judgment. For service under this warranty, the buyer must contact Vicor to obtain a Return Material Authorization (RMA) number and shipping instructions. Products returned without prior authorization will be returned to the buyer. The buyer will pay all charges incurred in returning the product to the factory. Vicor will pay all reshipment charges if the product was defective within the terms of this warranty.

**Life Support Policy**

VICOR'S PRODUCTS ARE NOT AUTHORIZED FOR USE AS CRITICAL COMPONENTS IN LIFE SUPPORT DEVICES OR SYSTEMS WITHOUT THE EXPRESS PRIOR WRITTEN APPROVAL OF THE CHIEF EXECUTIVE OFFICER AND GENERAL COUNSEL OF VICOR CORPORATION. As used herein, life support devices or systems are devices which (a) are intended for surgical implant into the body, or (b) support or sustain life and whose failure to perform when properly used in accordance with instructions for use provided in the labeling can be reasonably expected to result in a significant injury to the user. A critical component is any component in a life support device or system whose failure to perform can be reasonably expected to cause the failure of the life support device or system or to affect its safety or effectiveness. Per Vicor Terms and Conditions of Sale, the user of Vicor products and components in life support applications assumes all risks of such use and indemnifies Vicor against all liability and damages.

**Intellectual Property Notice**

Vicor and its subsidiaries own Intellectual Property (including issued U.S. and pending patent applications) relating to the products described in this data sheet. No license, whether express, implied, or arising by estoppel or otherwise, to any intellectual property rights is granted by this document. Interested parties should contact Vicor's Intellectual Property Department.

**Vicor Corporation**

25 Frontage Road  
Andover, MA, USA 01810  
Tel: 800-735-6200  
Fax: 978-475-6715

**email**

Customer Service: [custserv@vicorpower.com](mailto:custserv@vicorpower.com)  
Technical Support: [apps@vicorpower.com](mailto:apps@vicorpower.com)